

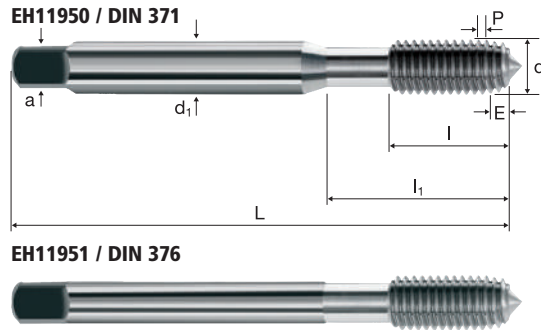
Cold forming taps for inserts



EG M **6H mod**

HSS PM/F

Form E



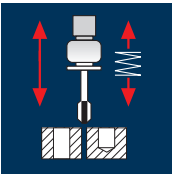
Rm < 850 **Rm** 850-1100 **Inox** Stainless

Example:		Article-N°.		ø-Code						TiCN
Order-N°.		EH11950		044						EH11950
Ø Code	d	P	L	l	l ₁	d ₁	a			
044	EGM 3	0.50	63	13	21	4.5	3.4	3	3.40	●
058	EGM 4	0.70	70	15	25	6.0	4.9	4	4.60	●
084	EGM 5	0.80	80	17	30	6.0	4.9	5	5.70	●
088	EGM 6	1.00	90	20	35	8.0	6.2	5	6.80	●
160	EGM 8	1.25	100	22	39	10.0	8.0	5	9.00	●

Example:		Article-N°.		ø-Code						TiCN
Order-N°.		EH11951		174						EH11951
Ø Code	d	P	L	l	l ₁	d ₁	a			
174	EGM10	1.50	110	25	40	9.0	7.0	7	11.20	●
240	EGM12	1.75	110	28	40	11.0	9.0	7	13.40	●

CF

Application



Material

Steel
 $< 850 \text{ N/mm}^2$
 $A_S > 10\%$

Steel
 $850 - 1100 \text{ N/mm}^2$
 $A_S > 10\%$



Stainless steel
 ferritic/martensitic
 $A_S > 10\%$



Stainless steel
 [Cr-Ni/1.4301]



EG-M	ϕ [mm]	P [mm]	v_c			v_c			v_c		
			$1.5 \times d$	n [min ⁻¹]	v_f [100%]	$2.0 \times d$	n [min ⁻¹]	v_f [100%]	$3.0 \times d$	n [min ⁻¹]	v_f [100%]
EGM 3	3.650	0.50	20	1745	873	15	1310	655	10	870	435
EGM 4	4.910	0.70	20	1295	906	15	970	679	10	650	455
EGM 5	6.040	0.80	20	1055	844	15	790	632	10	525	420
EGM 6	7.300	1.00	20	870	870	15	655	655	10	435	435
EGM 8	9.624	1.25	20	660	825	15	495	619	10	330	413
EGM 10	11.948	1.50	20	535	803	15	400	600	10	265	398
EGM 12	14.274	1.75	20	445	779	15	335	586	10	225	394
EGM 3	3.650	0.50	15	1310	655	10	870	435			
EGM 4	4.910	0.70	15	970	679	10	650	455			
EGM 5	6.040	0.80	15	790	632	10	525	420			
EGM 6	7.300	1.00	15	655	655	10	435	435			
EGM 8	9.624	1.25	15	495	619	10	330	413			
EGM 10	11.948	1.50	15	400	600	10	265	398			
EGM 12	14.274	1.75	15	335	586	10	225	394			
EGM 3	3.650	0.50	15	1310	655	10	870	435			
EGM 4	4.910	0.70	15	970	679	10	650	455			
EGM 5	6.040	0.80	15	790	632	10	525	420			
EGM 6	7.300	1.00	15	655	655	10	435	435			
EGM 8	9.624	1.25	15	495	619	10	330	413			
EGM 10	11.948	1.50	15	400	600	10	265	398			
EGM 12	14.274	1.75	15	335	586	10	225	394			