

Taps for inserts

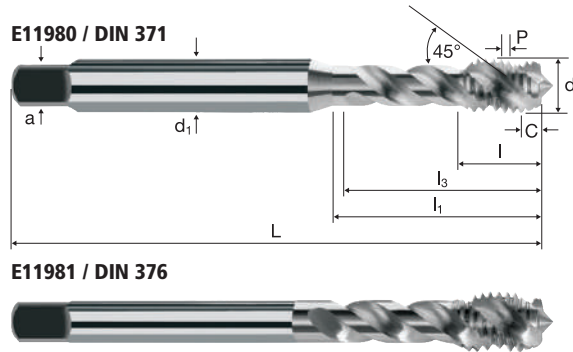


EG M **6H mod**

60° **HSS-E Co5**

DIN 371/376

X-P
Form C



Rm < 850

Al Aluminium > 99%

Al Aluminium Alloy

Al Aluminium Cast

Cu Copper

Plastic Thermoplast

GG(G)

Example: Order-N°.		Article-N°.		ø-Code								E11980	
		E11980		034									
Ø Code	d	P	L	l	l ₁	l ₃	d ₁	a					
034	EGM 2	0.40	50	9.0	15	13	2.8	2.1	3	2.15	●		
040	EGM 2.5	0.45	56	4.0	18	16	3.5	2.7	3	2.65	●		
044	EGM 3	0.50	63	5.6	21	19	4.5	3.0	3	3.15	●		
058	EGM 4	0.70	70	6.4	25	23	6.0	4.9	3	4.20	●		
084	EGM 5	0.80	80	8.0	30	28	6.0	4.9	3	5.25	●		
088	EGM 6	1.00	90	10.0	35	33	8.0	6.2	3	6.30	●		
160	EGM 8	1.25	100	12.0	39	37	10.0	8.0	3	8.40	●		

Example: Order-N°.		Article-N°.		ø-Code								E11981	
		E11981		174									
Ø Code	d	P	L	l	l ₁	l ₃	d ₁	a					
174	EGM10	1.50	110	14.0	50	48	9.0	7.0	3	10.40	●		
240	EGM12	1.75	110	16.0	58	56	11.0	9.0	4	12.50	●		
244	EGM14	2.00	110	16.0	58	56	12.0	9.0	4	14.50	●		
246	EGM16	2.00	125	20.0	65	63	14.0	11.0	4	16.50	●		

EG

